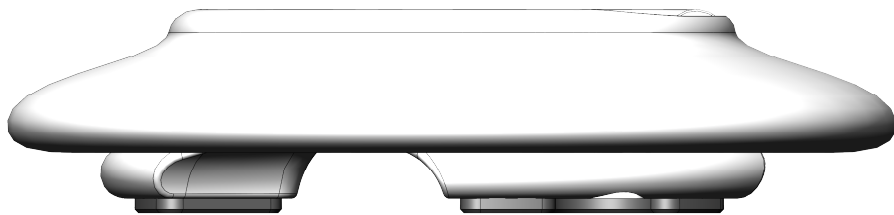
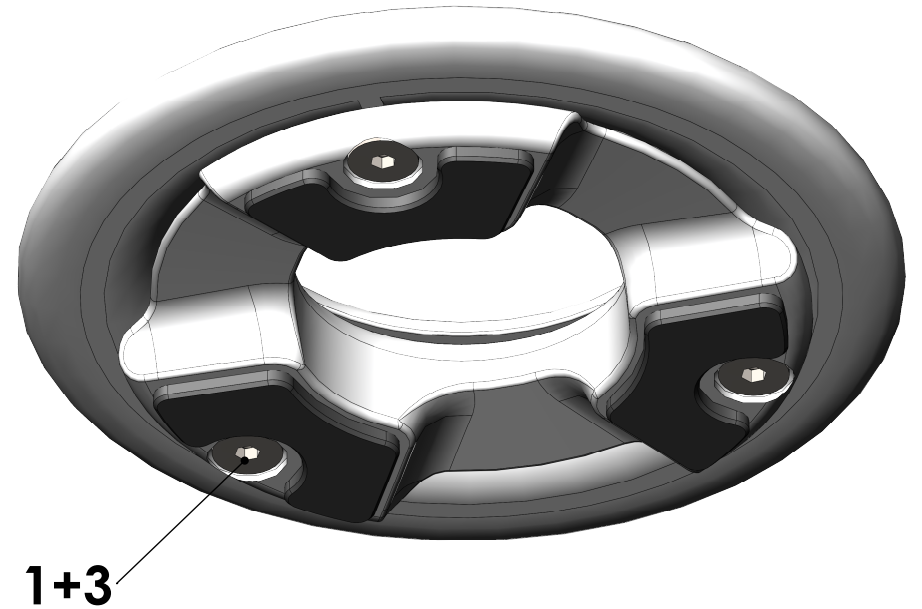
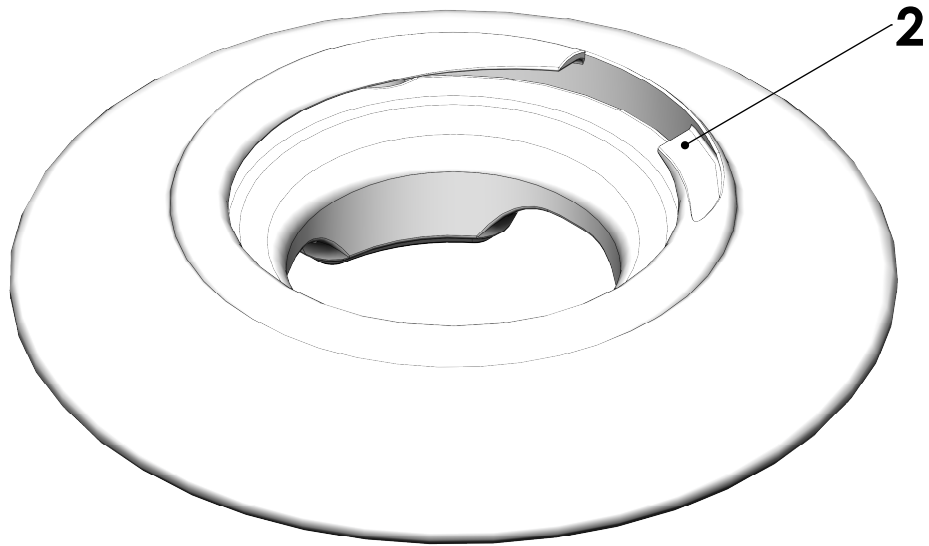


**1: Insert spring at this point.**

**2: Insert by turning the Spring all the way round to this indicated point.**

**3: Tighten the grub screw by use of 2 mm. Allen key.**



**1: Loosen the 3 screws using 3 mm. allenkey.**  
(Not all the way out - just enough to make space for the spring)

**2: Insert the spring.**

**3: Tighten the 3 screws.**  
(Make sure the spring are in the wanted position)